

■ DB2.6
 - Size: W 500X H 500mm
 - Resolution: W 192X H 192 Pixels
 - Max Power:200W
 -120PCS

PROJECT TITLE
 DB2.6mk2-10X3m-Stacking
 System project-V1.0

NOTE
 1. This drawing is only for reference.
 2. Specifications subject to change
 without notice.

This drawing is only for reference

REVISIONS	CONTENT	DATE

DRAWN BY Edy Cai

DESIGNED BY Edy Cai

CHECKED BY

APPROVED BY

DRAWING TITLE
 DB2.6mk2-500x500mm Cabinet

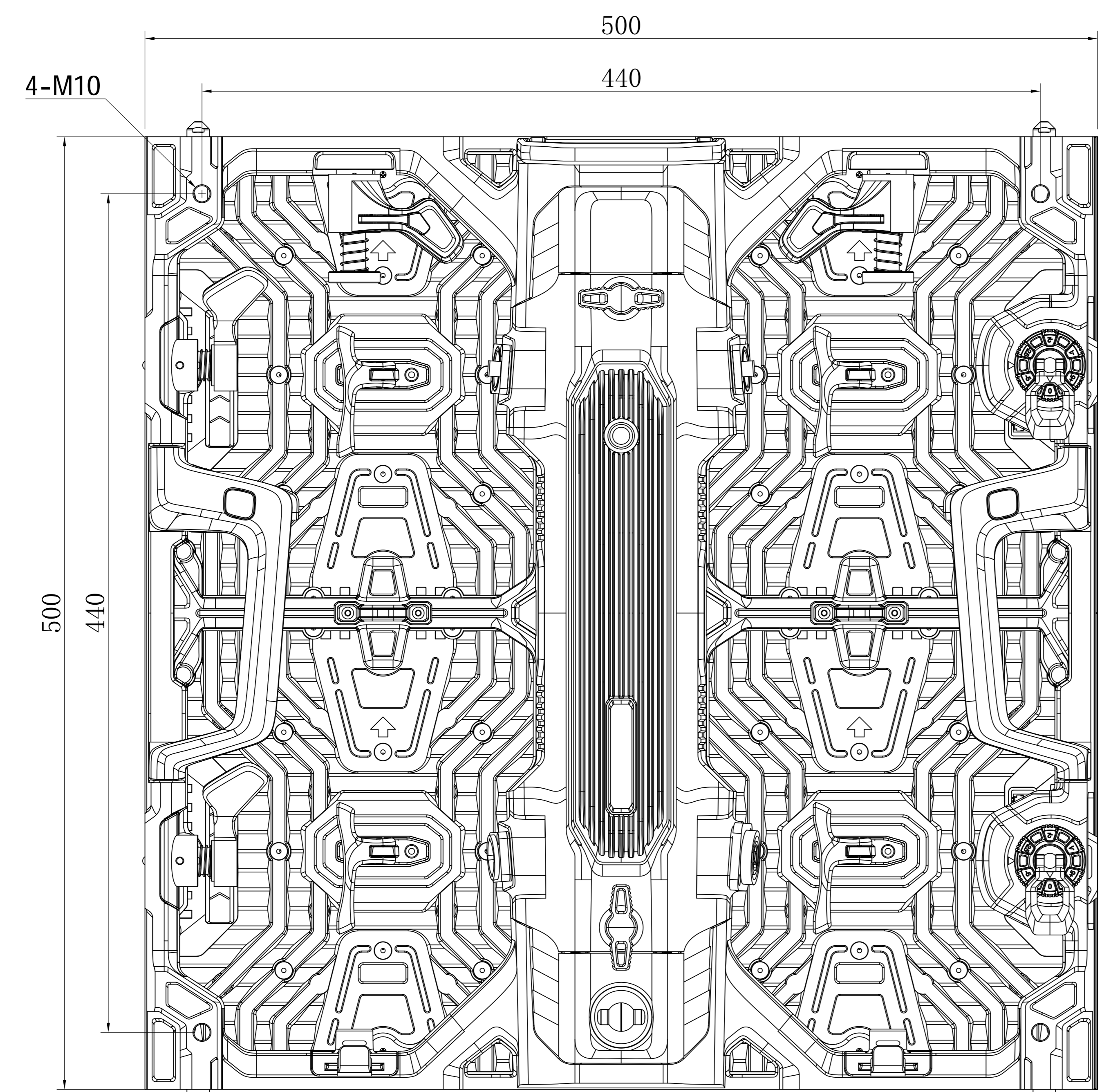
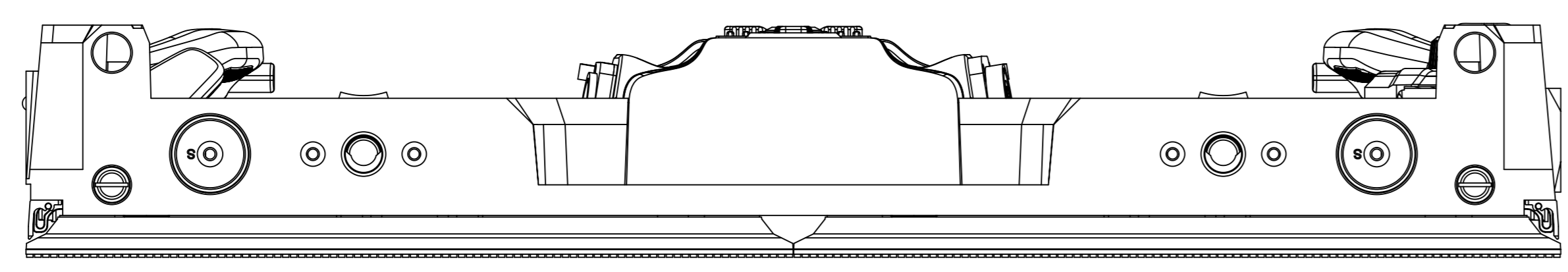
DRAWING NO.

VERSION V1.0

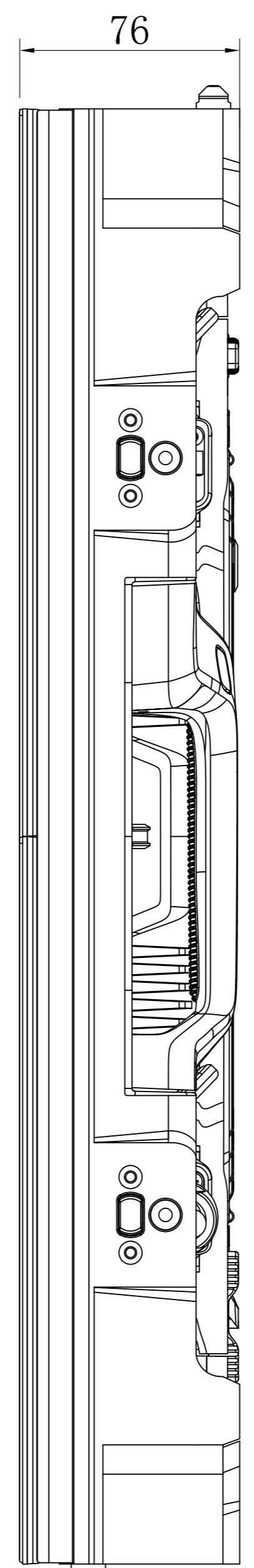
SCALE 1 / 1

DATE 2025.11.19

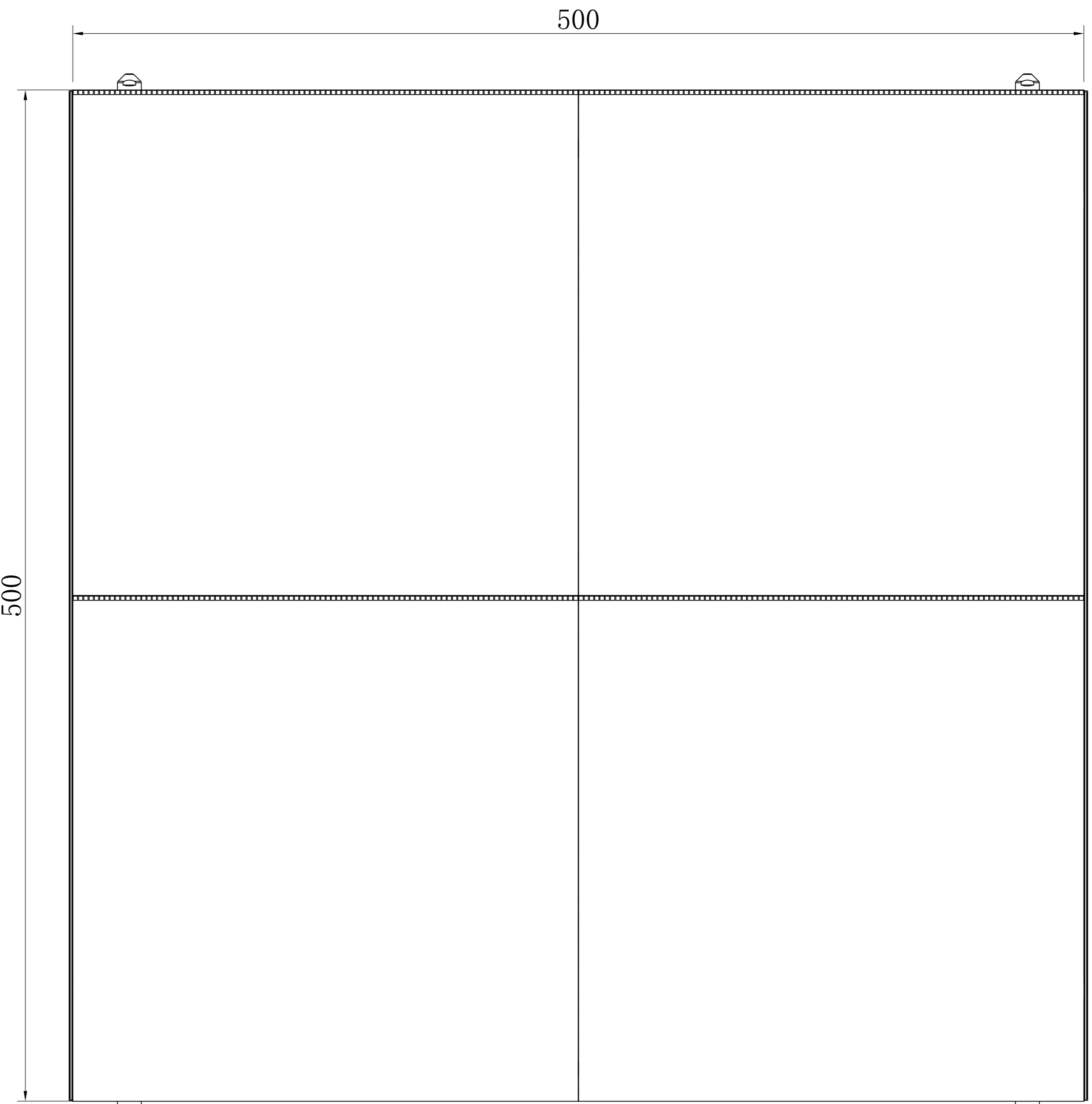
PRODUCT TYPE A SHEET NO. 001



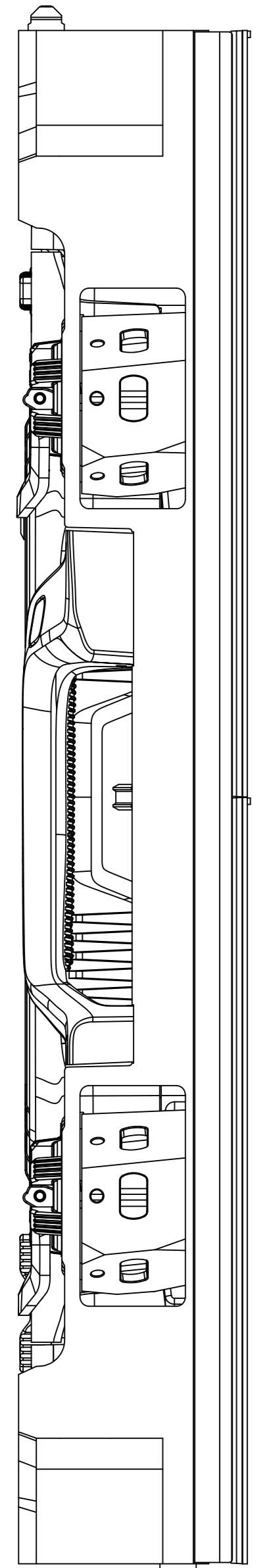
Rear view



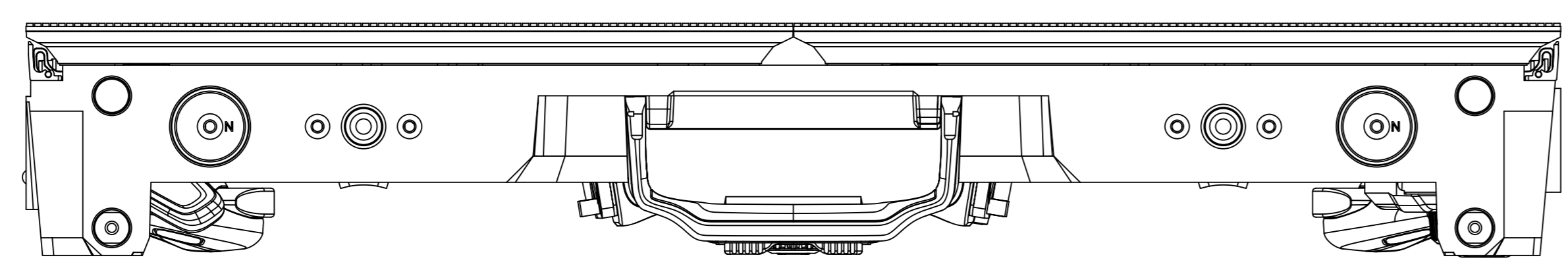
Side view



Front view



Side view



Top view

- DB2.6mk2
 - Pixel Pitch: 2.604mm
 - Resolution: W3840X H1152 Pixles
 - Active Screen Size: W10000X H3000mm
- Power Consumption
 - 110V/50&60HZ,24KW & Ground
 - Koliwatts to Amp=24kW/110V=218.2A
- Maintenance-Rear&Front Service



PROJECT TITLE
DB2.6mk2-10X3m-Stacking System project-V1.0

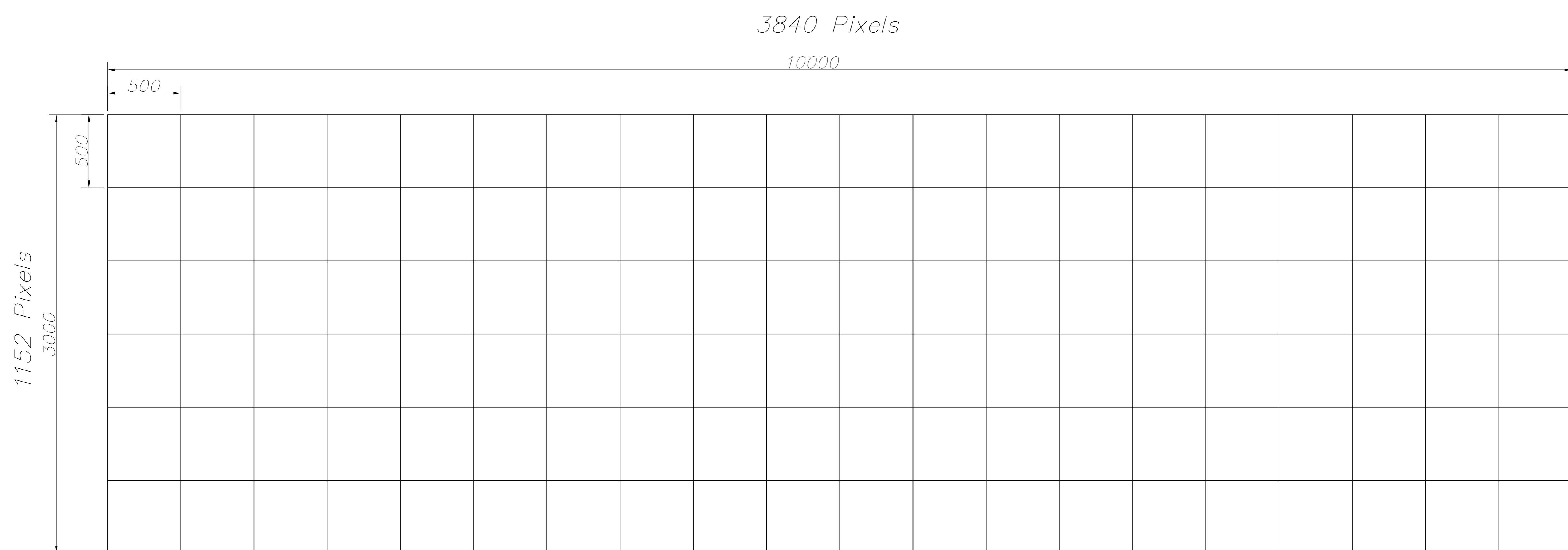
NOTE
1. This drawing is only for reference.
2. Specifications subject to change without notice.

This drawing is only for reference

REVISIONS	CONTENT	DATE

DRAWN BY Edy Cai
DESIGNED BY Edy Cai
CHECKED BY
APPROVED BY

DRAWING TITLE Screen layout
DRAWING NO.
VERSION V1.0
SCALE 1 / 1
DATE 2025.11.19
PRODUCT TYPE A **SHEET NO.** 002



Rear view

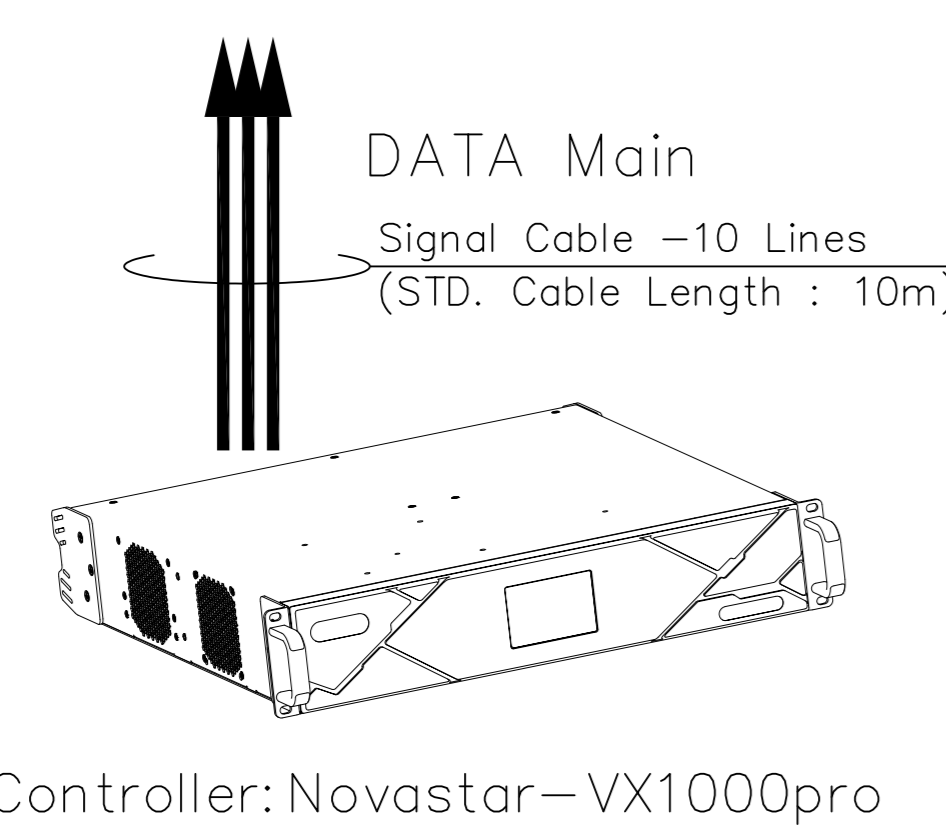
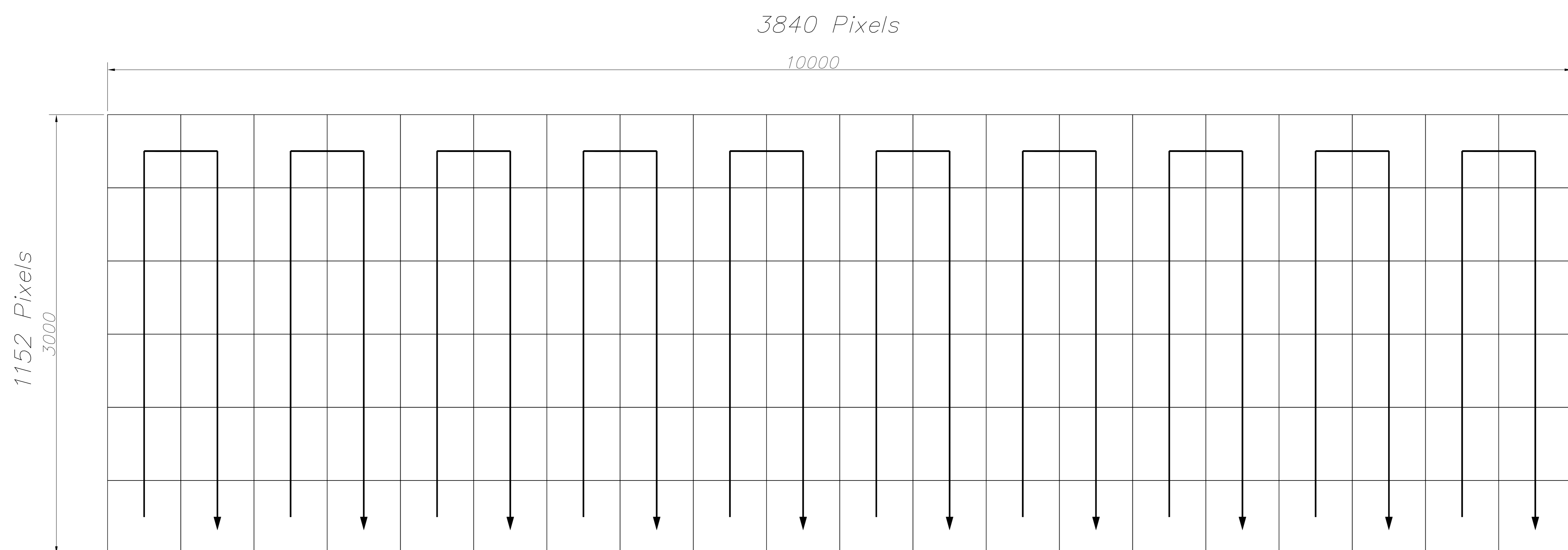
■ Data connection Diagram



PROJECT TITLE
DB2.6mk2-10X3m-Stacking
System project-V1.0

NOTE
1. This drawing is only for reference.
2. Specifications subject to change
without notice.

This drawing is only for reference



Rear view

REVISIONS	CONTENT	DATE

DRAWN BY Edy Cai

DESIGNED BY Edy Cai

CHECKED BY

APPROVED BY

DRAWING TITLE
Data connection Diagram

DRAWING NO.

VERSION V1.0

SCALE 1 / 1

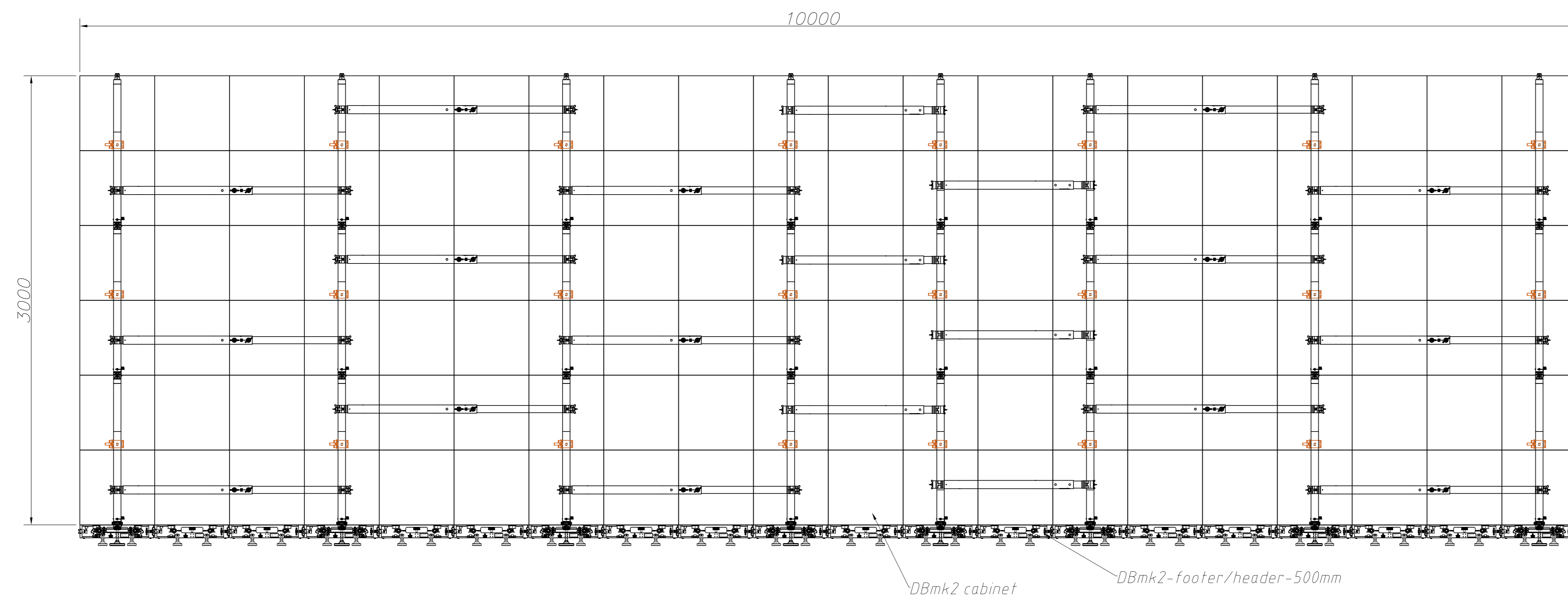
DATE 2025.11.19

PRODUCT TYPE A	SHEET NO. 004
-------------------	------------------

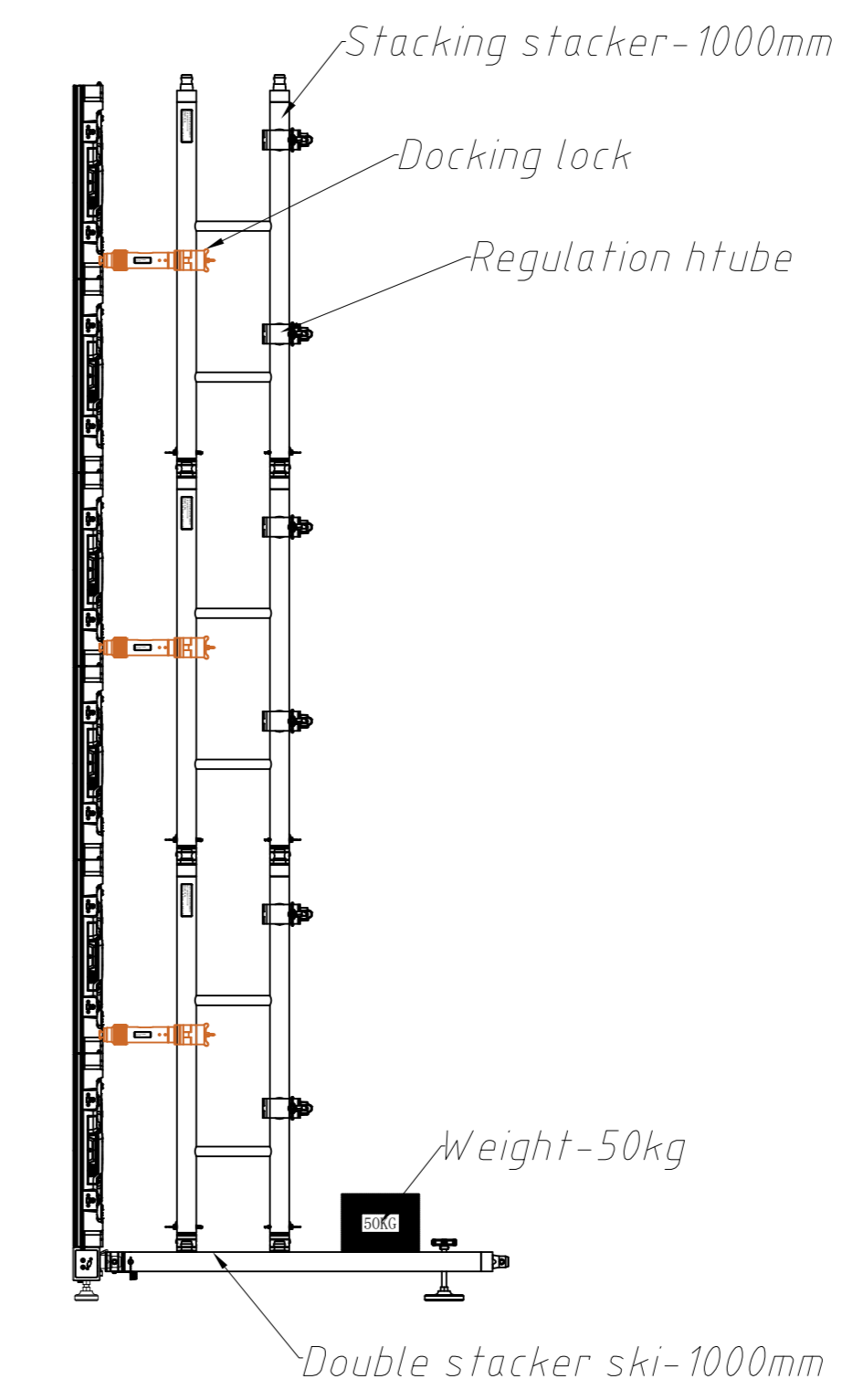
PROJECT TITLE
DB2.6mk2-10X3m-Stacking
System project-V1.0

NOTE
1. This drawing is only for reference.
2. Specifications subject to change
without notice.

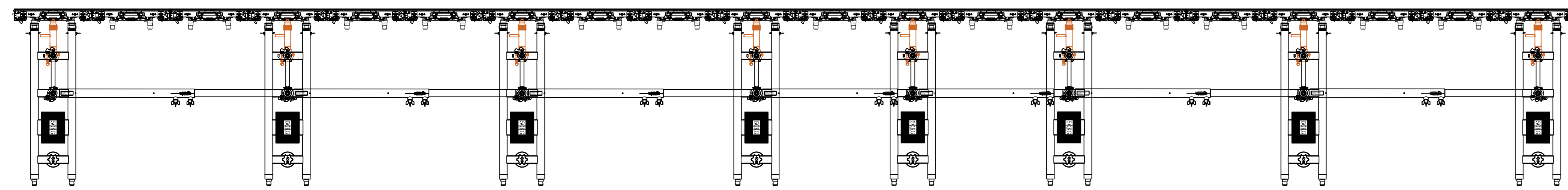
This drawing is only for reference



Rear view



Side view



Top view

REVISIONS	CONTENT	DATE

DRAWN BY Edy Cai

DESIGNED BY Edy Cai

CHECKED BY

APPROVED BY

DRAWING TITLE
Ground Stacking system

DRAWING NO.

VERSION V1.0

SCALE 1 / 1

DATE 2025.11.19

PRODUCT TYPE
A

SHEET NO.
005

Name	Model	Quantity
Stacking stacker-1000mm		24PCS
Stacking stacker-500mm		0 PCS
Regulate htube		21 PCS
Docking lock		24 PCS
Double Stacking Ski-1000mm		8 PCS
DBmk2-Footer/Header-500mm		20PCS